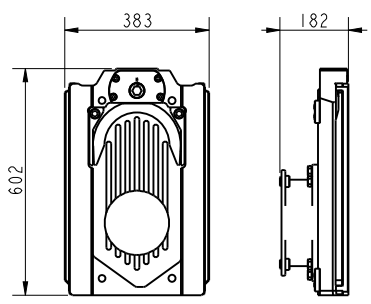
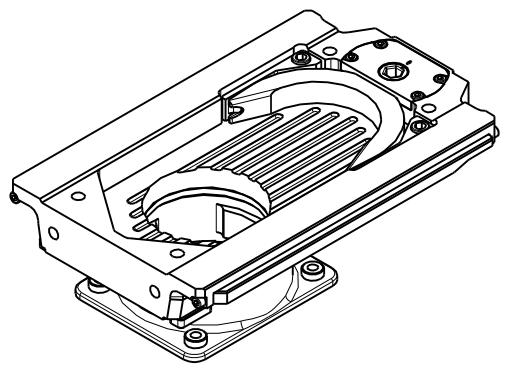
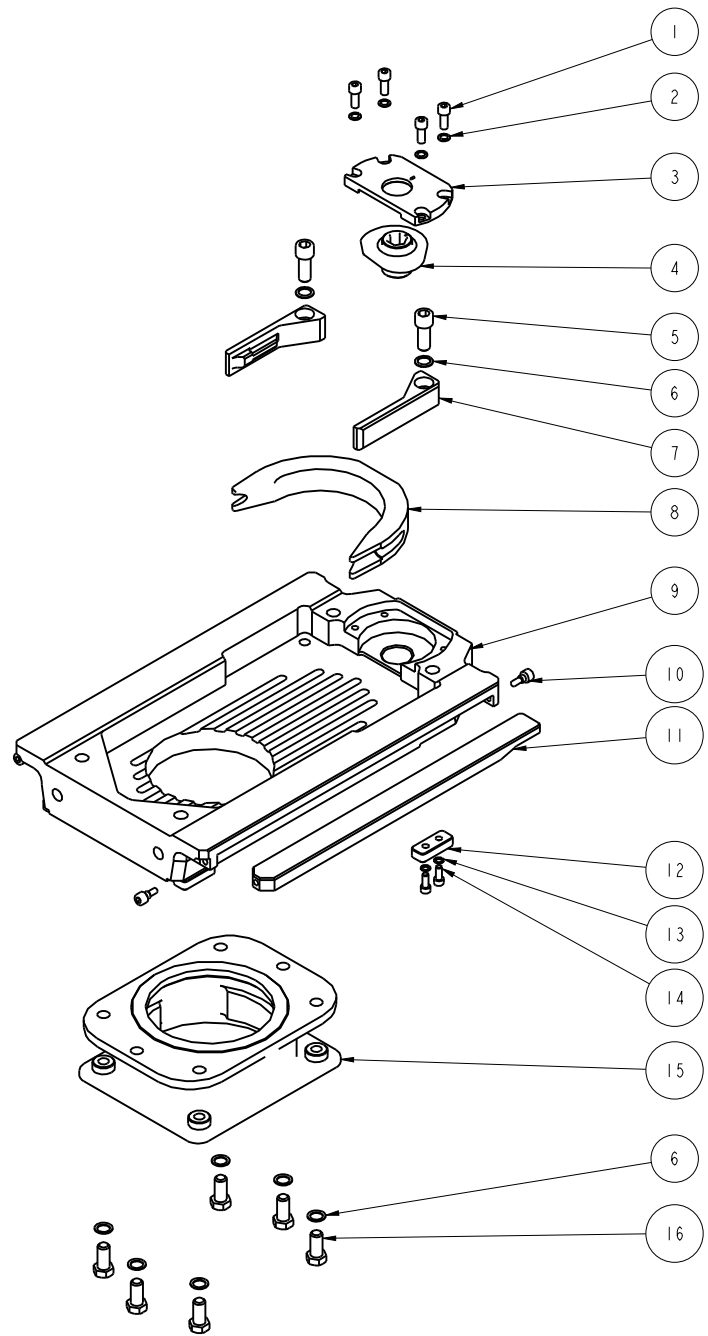


B

B

A

A



SCALE 1/10

16	SCREW DIN933 M16X35	9C15135	6	----	----	0.000
15	BP CARRIAGE FLANGE	9C36149	1	25CrM4	----	10.052
14	SCREW DIN912 M8X20 12.9	0005171	8	----	----	0.036
13	WASHER NMG452 M8	0736400	8	----	----	0.000
12	CARRIAGE GUIDE	9C63019	4	Cu Al	F0-Nr	0.000
11	WEARING STRIP	9C88486	2	X210Cr	F2---	2.858
10	MODIFIED SCREW	9C88494	4	----	----	0.000
9	BOTTOM PLATE CARRIAGE MODIF	9E09711	1	----	----	57.482
8	HORSE SHOE	9B87703	1	X38Cr	MoV5--	0.000
7	HORSE SHOE GUIDE	9C87679	2	Ck 45	----	0.721
6	WASHER NMG452 DIA16	0909800	8	----	----	0.001
5	SCREW DIN912 M16X40	0528300	2	----	----	0.114
4	ECCENTRIC	9C87315	1	42CrM4	----	0.980
3	ECCENTRIC COVER	9C87323	1	St 52.3	----	0.730
2	WASHER NMG452 DIA10	0741500	4	----	----	0.001
1	SCREW DIN912 M10X25	0741400	4	----	----	0.029

ITEM	DESIGNATION	NUMBER	QTY.	Name		WEIGHT
				Number	MATERIAL	

UNLESS OTHERWISE SPECIFIED		Nominal dim. Above mm: Below mm:	Linear tol. mm:	Angular tol: ±0.5 Undimensioned radii:
6	30	±0.2		
30	120	±0.5		
120	315	±1.2		
315	1000	±2.0		
1000	2000	±3.0		
2000	4000	±4.0		

WEIGHT: 84.149 Kg

TRACABILITY PUR 34 - Markings must be easily readable - Mark Vesuvius Logo + Supplier Initials ex:(DD)	-	----	DATE
	-	----	DRAWN
	-	----	CHECKED
	-	----	VERSION

VESUVIUS GROUP

This drawing is the property of VESUVIUS GROUP and must not be copied or disclosed outside our company without written permission. This drawing must be returned after use.

APPROVED FOR MANUFACTURING		DATE	BY
PROJECT Nr		MACHINING	
SCALE: 1/5			
TITLE	MOD.	NUMBER	VERS.
BOTTOM PLATE CARRIAGE ASSY	LG2IL	9E19717	